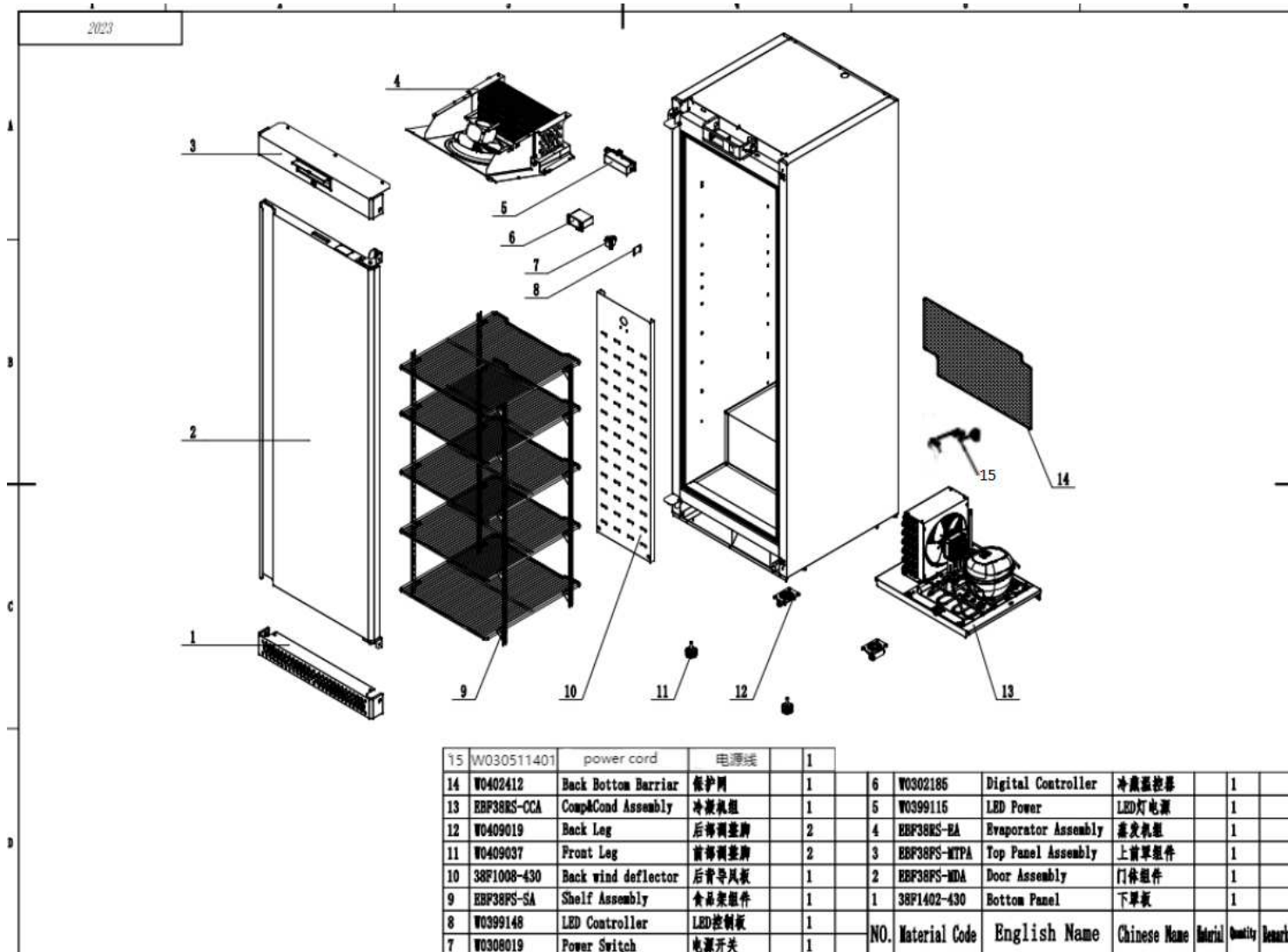


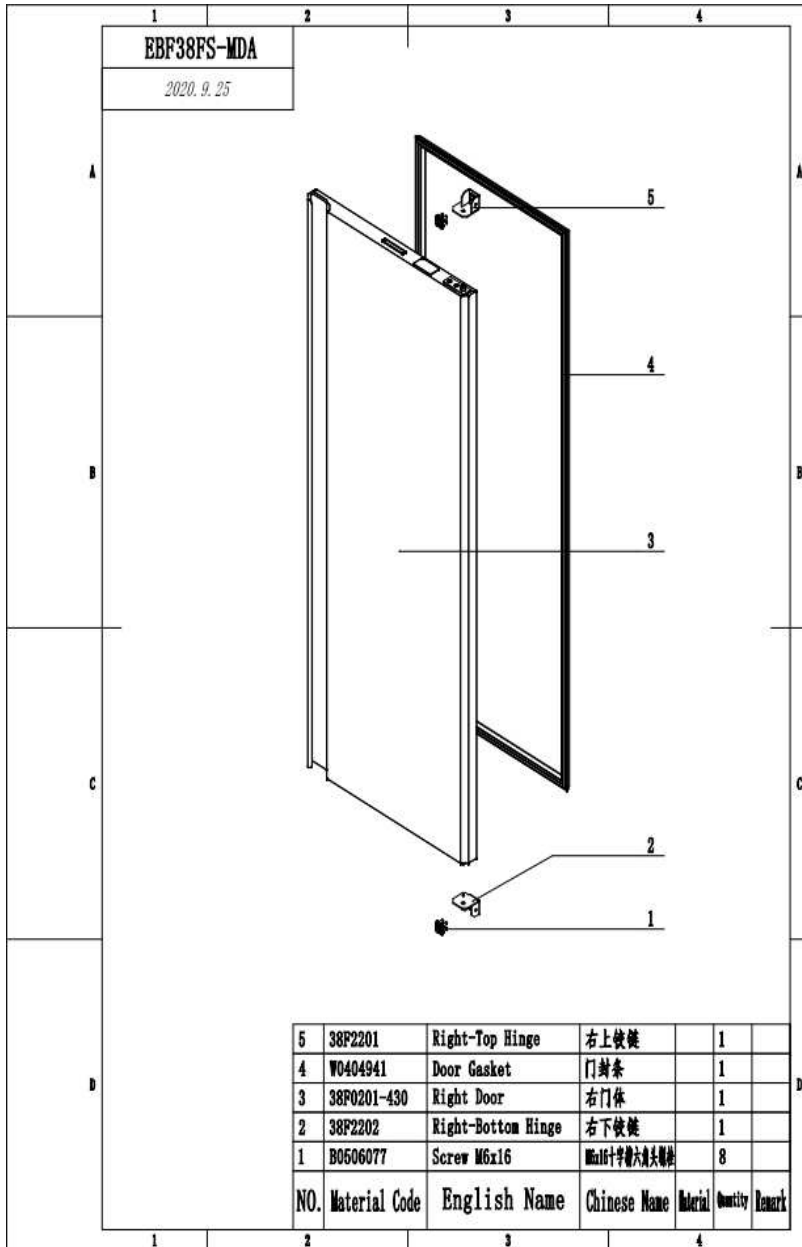
Year	Q	R	S	T	U	V	W	X	Y	Z		
	2015	2016	2017	2018	2019	2020	2021	2022	2023	2024		
Month	Jan	Feb	Mar	Apr	May	Jun	Jul	Aug	Sep	Oct	Nov	Dec
	I	II	III	IV	V	VI	VII	VIII	IX	X	XI	XII



15	W030511401	power cord	电源线	1										
14	W0402412	Back Bottom Barriar	保护网	1	6	W0302186	Digital Controller	冷藏温控器	1					
13	EBF38RS-CCA	Comp&Cond Assembly	冷凝机组	1	5	W0399116	LED Power	LED灯电源	1					
12	W0409019	Back Leg	后背调整脚	2	4	EBF38RS-EA	Evaporator Assembly	蒸发器组件	1					
11	W0409037	Front Leg	前背调整脚	2	3	EBF38FS-MTPA	Top Panel Assembly	上背罩组件	1					
10	38F1008-430	Back wind deflector	后背导风板	1	2	EBF38FS-MDA	Door Assembly	门体组件	1					
9	EBF38FS-SA	Shelf Assembly	食品架组件	1	1	38F1402-430	Bottom Panel	下罩板	1					
8	W0399148	LED Controller	LED控制板	1										
7	W0308019	Power Switch	电源开关	1										
						NO.	Material Code	English Name	Chinese Name	Material	Quantity	Remark		

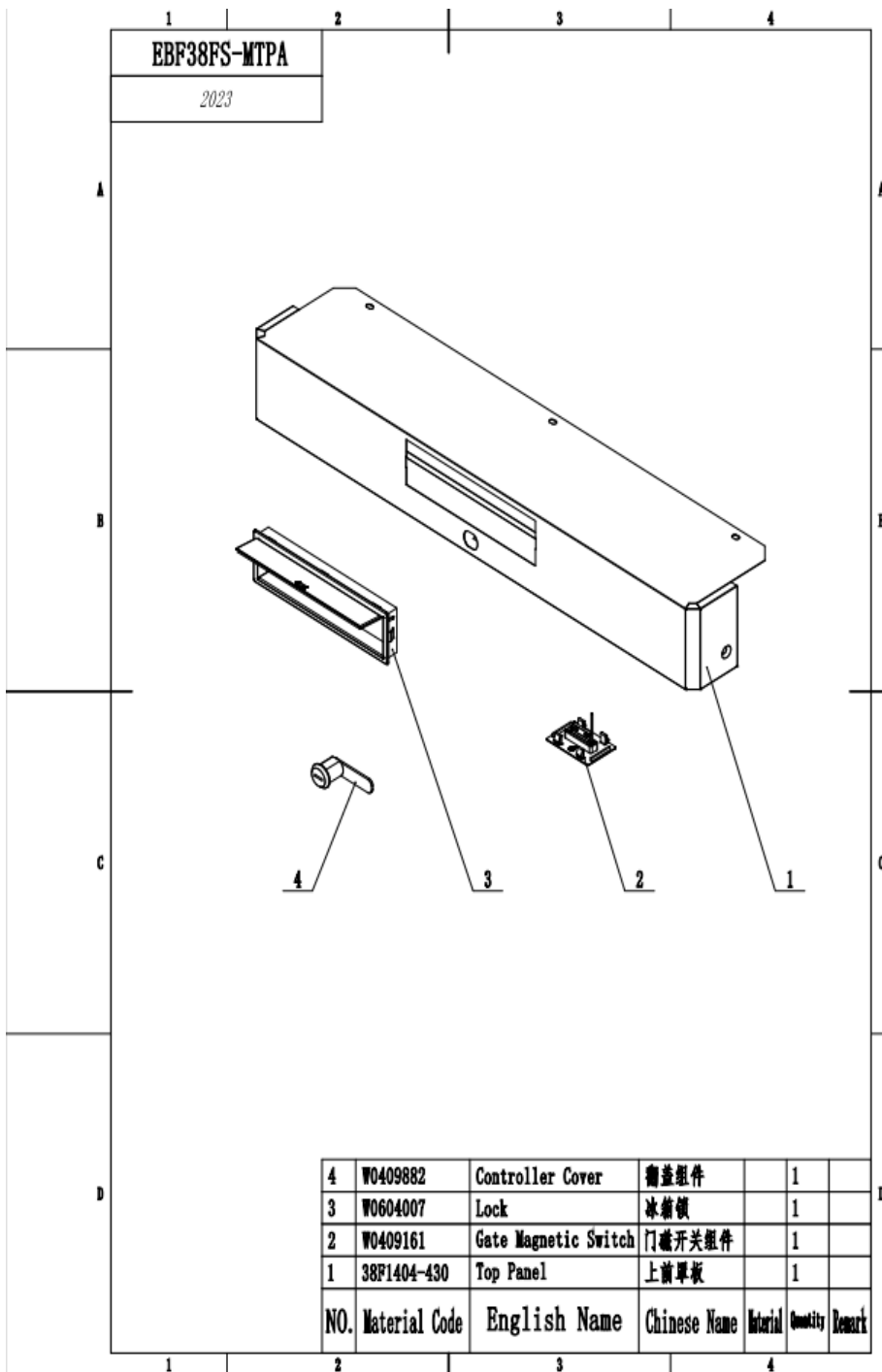
NO	ENGLISH NAME	CODE	QTY
1	Bottom Panel	38F1402-430	1
2	Door Assembly	EBF38FS-MDA	1
3	Top Panel Assembly	EBF38FS-MTPA	1
4	Evaporator Assembly	EBF38RS-EA	1
5	LED Power	W0399115	1
6	Digital Controller	W0302185	1
7	Power Switch	W0308019	1
8	LED Controller	W0399148	1
9	Shelf Assembly	EBF38FS-SA	1
10	Back wind deflector	38F1008-430	1
11	Front Leg	W0409037	2
12	Back Leg	W0409019	2
13	Comp&Cond Assembly	EBF38RS-CCA	1
14	Back Bottom Barriar	W0402412	1
15	power cord	W030511401	1

Door Assembly EBF38FS-MDA



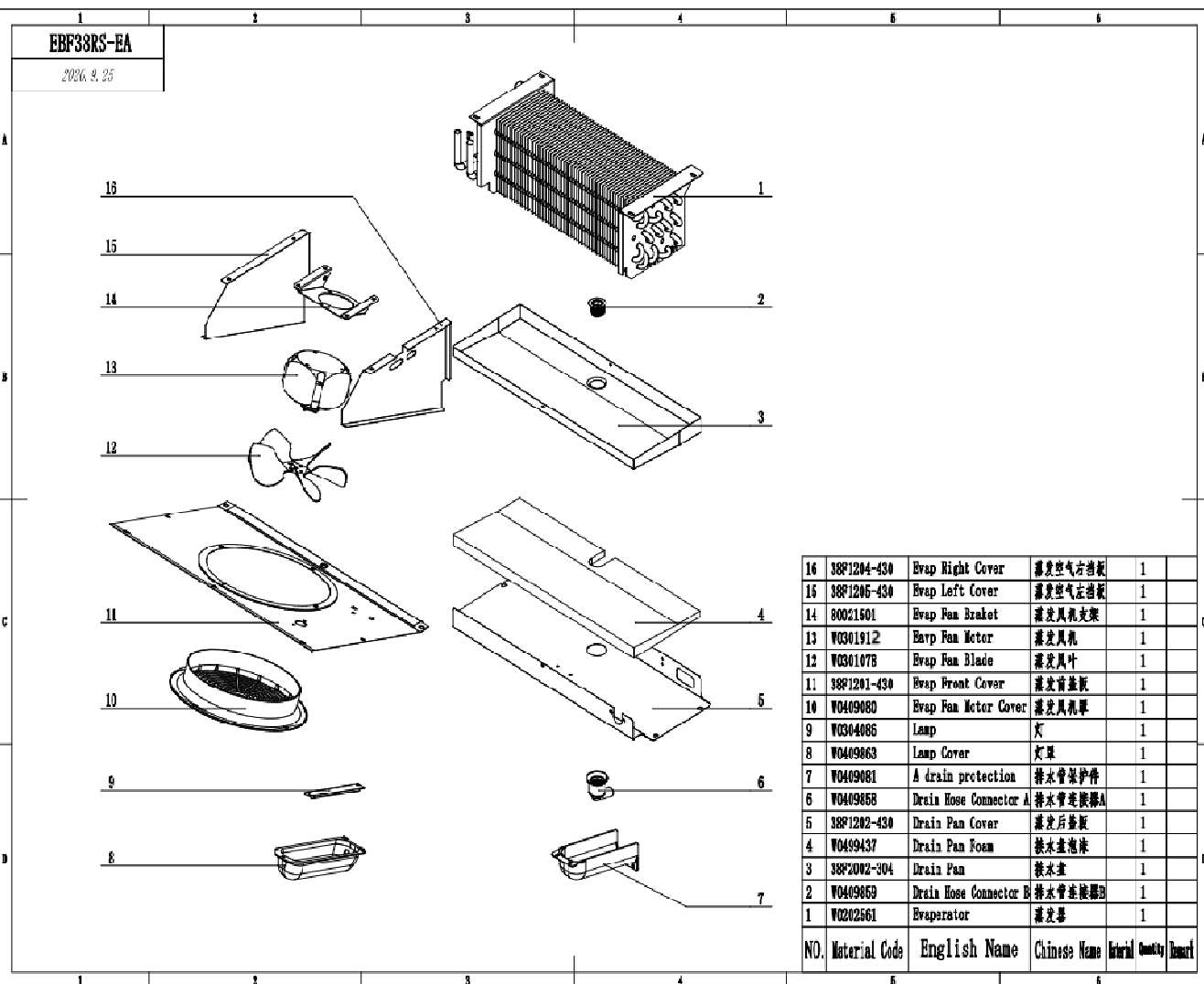
NO	ENGLISH NAME	CODE	QTY
1	Screw M6x16	B0506077	8
2	Right-Bottom Hinge	38F2202	1
3	Right Door	38F0201-430	1
4	Door Gasket	W0404941	1
5	Right-Top Hinge	38F2201	1

Top Panel Assembly EBF38FS-MTPA



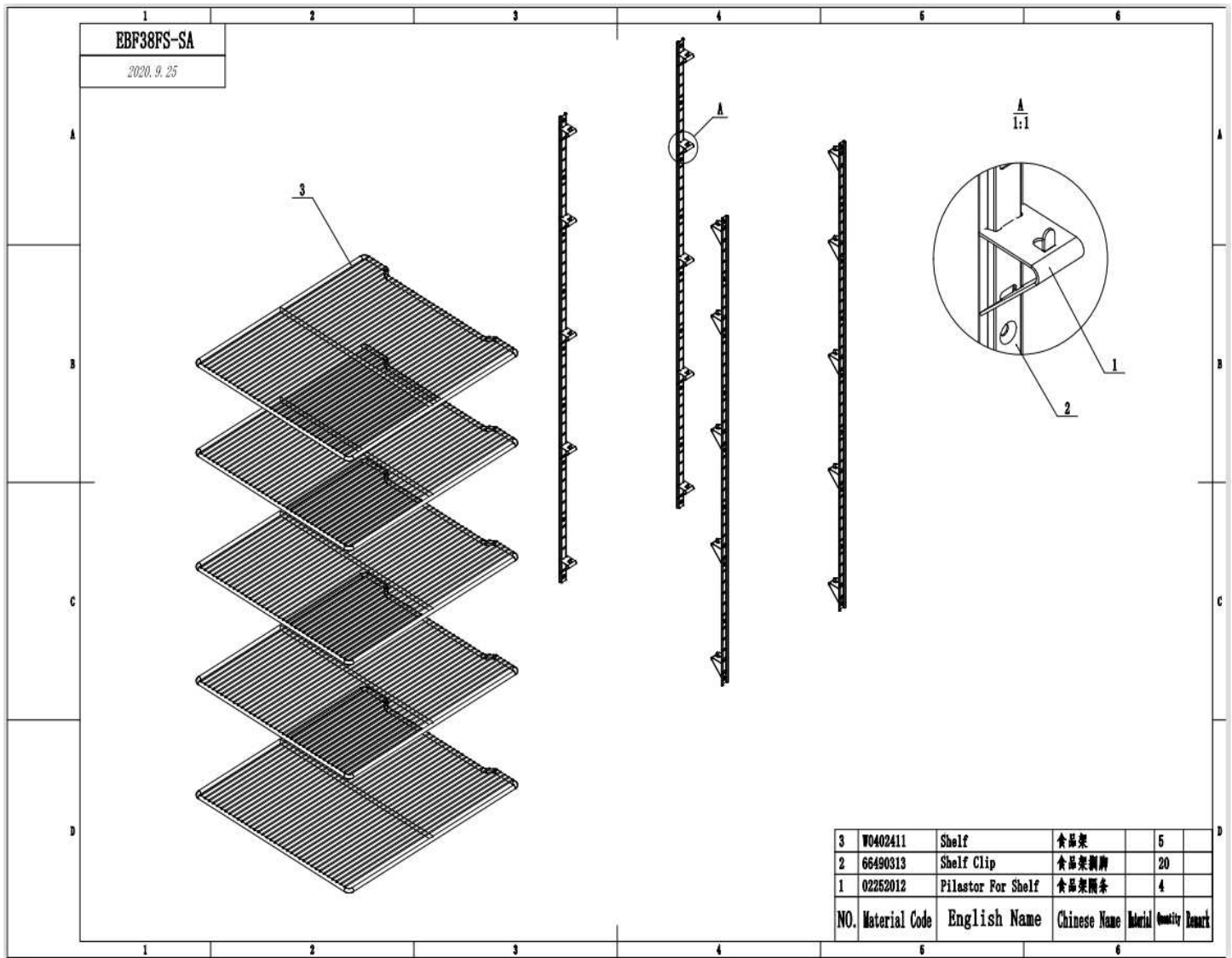
NO	ENGLISH NAME	CODE	QTY
1	Top Panel	38F1404-430	1
2	Gate Magnetic Switch	W0409161	1
3	Lock	W0604007	1
4	Controller Cover	W0409882	1

Evaporator Assembly EBF38RS-EA



NO	ENGLISH NAME	CODE	QTY
1	Evaperator	W0202561	1
2	Drain Hose Connector B	W0409859	1
3	Drain Pan	38F2002-304	1
4	Drain Pan Foam	W0499437	1
5	Drain Pan Cover	38F1202-430	1
6	Drain Hose Connector A	W0409858	1
7	A drain protection	W0409081	1
8	Lamp Cover	W0409863	1
9	Lamp	W0304086	1
10	Evap Fan Motor Cover	W0409080	1
11	Evap Front Cover	38F1201-430	1
12	Evap Fan Blade	W0301078	1
13	Eavp Fan Motor	W0301912	1
14	Evap Fan Braket	80021501	1
15	Evap Left Cover	38F1205-430	1
16	Evap Right Cover	38F1204-430	1

Shelf Assembly EBF38FS-SA



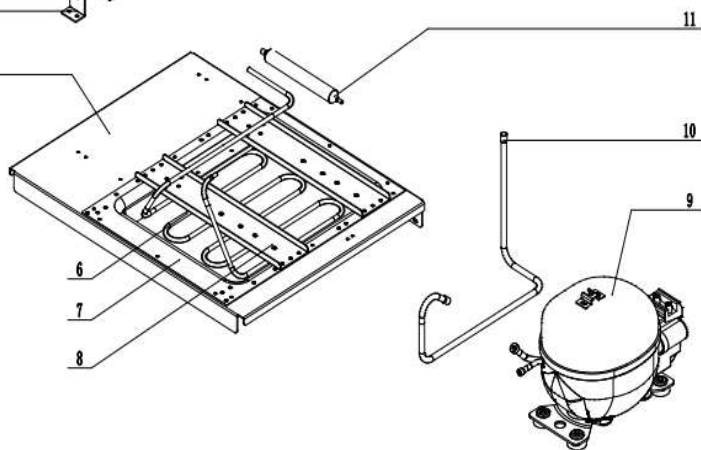
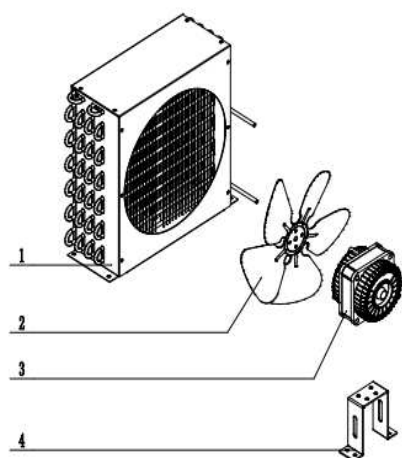
3	W0402411	Shelf	食品架	5		
2	66490313	Shelf Clip	食品架副脚	20		
1	02252012	Pilastor For Shelf	食品架侧条	4		
NO.	Material Code	English Name	Chinese Name	Material	Quantity	Remark

NO	ENGLISH NAME	CODE	QTY
1	Pilastor For Shelf	02252012	4
2	Shelf Clip	66490313	20
3	Shelf	W0402411	5

Comp&Cond Assembly EBF38RS-CCA

EBF38RS-CCA

2020.9.25



11	W0204101	Dry Filter	干燥过滤器	1	
10	W0210927	Low Pressure Coil Back to Comp	回气管(B)	1	
9	W0201160	Compressor	压缩机	1	
8	38F1603	Compressor Braket	压缩机固定板	2	
7	W0411159	Plastic Drain Pan	接水盘	1	
6	W0210926	High Presure Coil	高压管	1	
5	38F1803	Compressor Board	压缩机底板	1	
4	80061601	Condenser Fan Braket	冷凝风机支架	1	
3	W0301046	Condensor Fan	冷凝风机	1	
2	W0301060	Condenser Fan Blade	冷凝风叶	1	
1	W0203172	Condenser	冷凝器	1	

NO.	Material Code	English Name	Chinese Name	Material	Quantity	Remark
-----	---------------	--------------	--------------	----------	----------	--------

NO	ENGLISH NAME	CODE	QTY
1	Condenser	W0203172	1
2	Condenser Fan Blade	W0301060	1
3	Condensor Fan	W0301046	1
4	Condenser Fan Braket	80061601	1
5	Compressor Board	38F1803	1
6	High Presure Coil	W0210926	1
7	Plastic Drain Pan	W0411159	1
8	Compressor Braket	38F1603	2
9	Compressor	W0201160	1
10	Low Presure Coil Back to Comp	W0210927	1
11	Dry Filter	W0204101	1